

# MESOLUBE



Lubrication Hose Fitting/Ferrule and Hose End



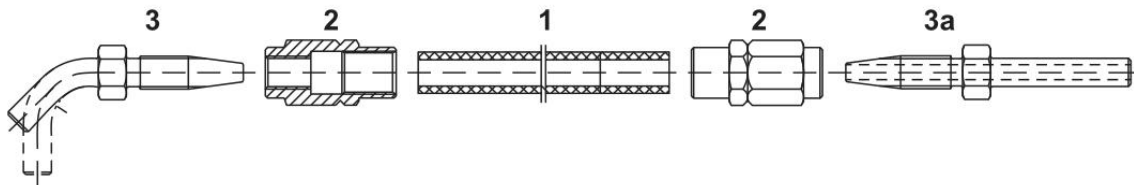
A close-up photograph of two lubrication hose fittings. One is a straight ferrule fitting with a hexagonal body and a threaded end. The other is a straight insert fitting with a hexagonal body and a threaded end.	<p><b>Lubrication Hose Fittings Types:</b> DIN 2353 LL series ISO 8434-1 L series Hose ends with fine thread for clamping lubrication hose</p> <p><b>Shapes of Lubrication Tube Fittings</b> Straight 45 degree Elbow 90 degree Elbow Thread Ferrule</p> <p><b>Catalog of Lubrication Tube Fittings</b> <b>Dimensions of Lubrication Hose Fittings</b></p>
--	--



# Lubrication Hose Fittings Thread Ferrule and Insert Hose End

## Lubrication Hose Fittings Introduction

Lubrication hose fittings is from DIN 2353 standard pipe ends to M7\*0.5 or M9\*1 thread of hose stud ends, it will be matched with screw ferrule or socket , it is designed with left hand thread, for automatic lubrication grease line by compression fittings connect to tubes, tubing system, sealing by 24 degree cone end with DIN 3870 coupling nut and DIN 3861 cutting ring assembly. Standard pipe sizes is available in 4mm, 5mm, 6mm and 8 mm, material is carbon steel with White Zinc, or ZnNi alloy, brass and stainless steel of 304 or 316.



1 is high pressure hose

2 is screw ferrule with left hand thread and turning right thread

3 is hose stud 45 degree or 90 degree

3a is straight hose stud

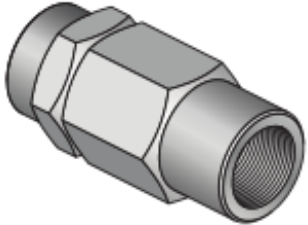
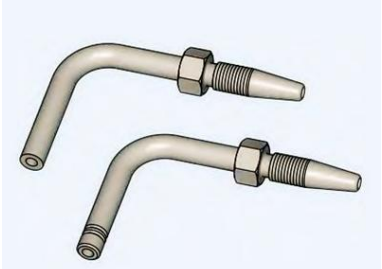

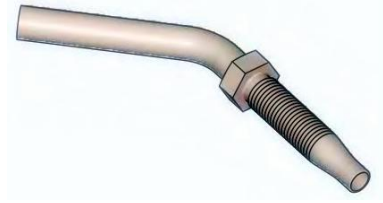
Central lubrication hose and fittings are used for remote grease line, lubrication is very important to all equipment, serves to carry way heat and protect bearing surface from corrosion and wear. It is applications such as :Agricultural, Marine, Construction Equipment, Renewable energy etc.



# Lubrication Hose Fittings Thread Ferrule and Insert Hose End

---

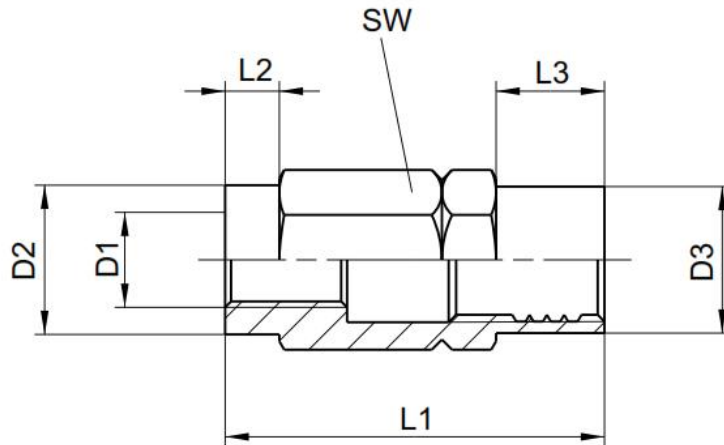
Types of lubrication hose fittings is used in lube line with reusable grease hose fittings, overview catalogue of lubrication hose fittings connectors as follow:

<p style="text-align: center;">Screw Ferrule</p> 	<p style="text-align: center;">90 Degree Elbow Hose Insert</p> 
<p style="text-align: center;">Straight Hose Insert</p> 	<p style="text-align: center;">45 Degree Elbow Hose Insert</p> 



# Lubrication Hose Fittings Thread Ferrule and Insert Hose End

## Screw Sleeve threaded Ferrule



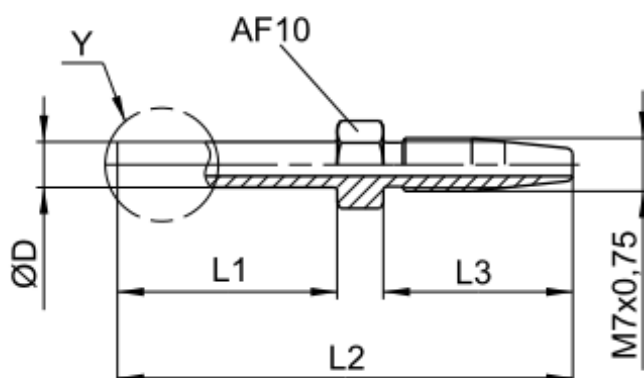
Part-No.	D1	D2	D3	L1	L2	L3	SW	For Hose	Material	Part No.
100121200	M7x0.75	11	10.8	28	4	8	12	8.75x4.1	Steel	100-050
100121197	M7x0.75	10	11	28	2	8	12	8.75x4.1	Stainless	100-050SS
100121306	M9x1	14	16	28	4	9	14	11.3x6,35	Steel	100-070
100121348	M9x1	14	16	28	4	9	14	11.3x6,35	Stainless	100-070SS
100121305	M9x1	14	16	35.8	4	9	17	11.3x6,35	Steel	100-060
100121347	M9x1	14	16	35.8	4	9	17	11.3x6,35	Stainless	100-060SS

# Lubrication Hose Fittings

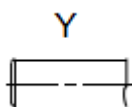
## Thread Ferrule and Insert Hose End

Hose Stud Straight

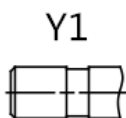
for the assembly of a high pressure hose  $\varnothing 8,6 \times 4$



Part No.	D	L1	L2	Detail	Thread	material	Part No.
100121171	8	22	53	Y	M7x0,75	steel	100-051-8L53
100121173	8	30	61	Y	M7x0,75	steel	100-051-8L61
100121186	6	20	51	Y	M7x0,75	steel	100-051-L51
100121189	6	18	49	Y	M7x0,75	steel	100-051-L49
100121190	6	24	55	Y	M7x0,75	steel	100-051-L55
100121191	6	30	61	Y1	M7x0,75	steel	100-051-L61Y1
100121198	6	30	61	Y	M7x0,75	Stainless	100-051-L61SS
100121201	6	30	61	Y	M7x0,75	steel	100-051-L61
100121210	6	21	52	Y1	M7x0,75	steel	100-051-L52Y1
100121218	5	30	64	Y	M7x0,75	steel	100-051-5L64
100121219	10	30	64	Y	M7x0,75	steel	100-051-10L64
100121220	10	30	64	Y	M7x0,75	Stainless	100-051-10L64SS
100121253	6	30	61	Y1	M7x0,75	Stainless	100-051-L61Y1SS
100121282	6	24	55	Y1	M7x0,75	steel	100-051-L55 Y1
100121301	8	22	67,3	Y	M9x1	steel	100-051-8L67.3
100121380	6	18	49	Y	M7x0,75	Stainless	100-051-8L49
100121382	6	18	49	Y1	M7x0,75	steel	100-051-L49Y1
100121385	6	32,7	45	Y1	M7x0,75	steel	100-051-L45Y1
100121386	6	38	59	Y1	M7x0,75	steel	100-051-L59Y1



for cutting ring

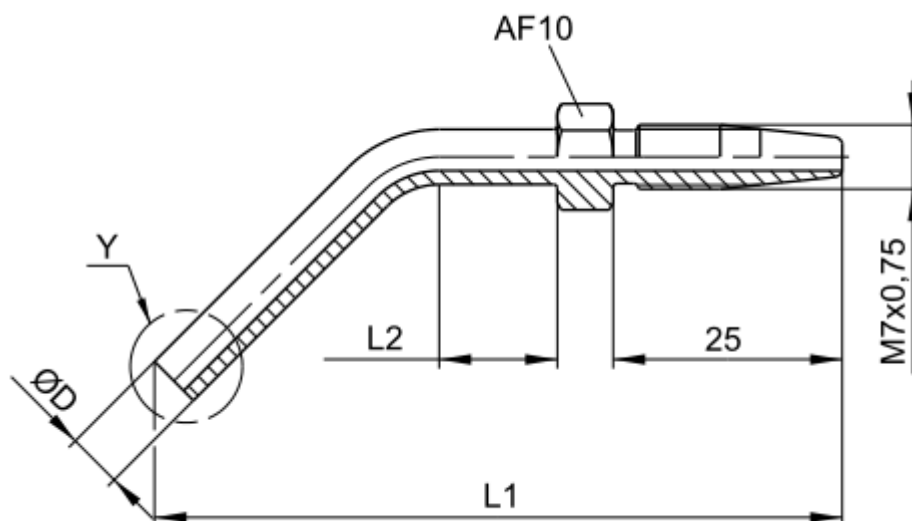


plug type connection Lincoln

# Lubrication Hose Fittings

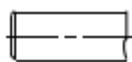
## Thread Ferrule and Insert Hose End

Hose Insert Stud for Ferrule, 45° bent  
to Mounting a High Pressure Hose Dia. 8.6 x 4



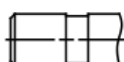
Part No.	D	L1	L2	Detail	Thread	Steel	Part No.
100121163	8	92	32	Y	M9x1	steel	100-052-8L92
100121164	8	92	32	Y	M9x1	stainless	100-052-8L92SS
100121175	8	68,5	13	Y	M7x0,75	steel	100-052-8L68.5
100121177	8	76,5	13	Y	M7x0,75	steel	100-052-8L76.5
100121187	6	79,1	28,4	Y	M7x0,75	stainless	100-052-L79.1SS
100121206	6	79,1	28,4	Y	M7x0,75	steel	100-052-L79.1
100121215	6	93,2	43,3	Y	M7x0,75	steel	100-052-L93.2
100121227	6	68,3	18,5	Y	M7x0,75	steel	100-052-L68.3
100121254	6	79,1	28,4	Y1	M7x0,75	steel	100-052-L79.1SS

Y



for cutting ring

Y1

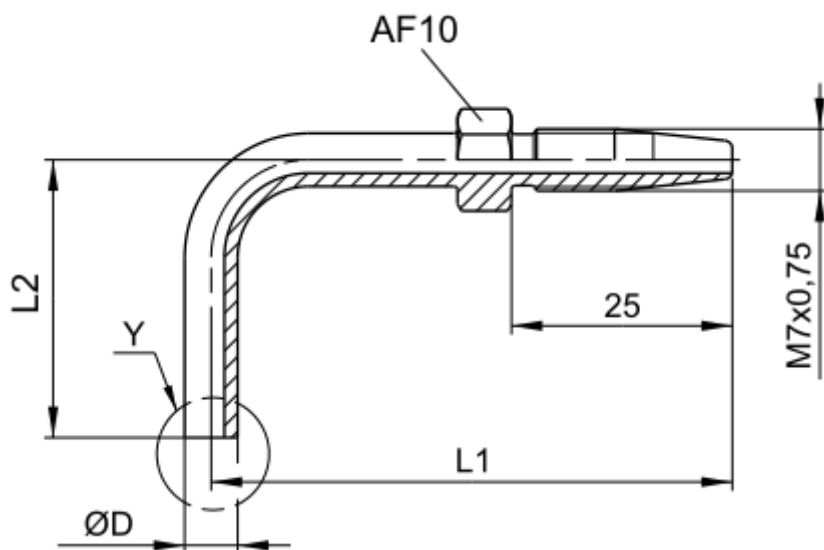


plug type connection Lincoln

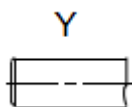
# Lubrication Hose Fittings

## Thread Ferrule and Insert Hose End

Hose Insert Stud for Ferrule, 90° bent  
to Mounting a High Pressure Hose Dia. 8.6 x 4



Part No.	D	L1	L2	Detail	M	Material	Part No.
100121179	8	55	30	Y	M7x0,75	Steel	100-053-8L55
100121181	8	55	50	Y	M7x0,75	Steel	100-053-8L55/50
100121202	6	59	38	Y	M7x0,75	Steel	100-053-L59/38
100121203	6	59	50	Y	M7x0,75	Steel	100-053-L59/50
100121208	6	45,1	20,7	Y	M7x0,75	Steel	100-053-L45.1/20.7
100121209	6	45,1	32,7	Y	M7x0,75	Steel	100-053-L45.1/32.7
100121228	6	45,1	32,7	Y1	M7x0,75	Steel	100-053-L45.1/32.7Y1
100121257	6	59	38	Y1	M7x0,75	Steel	100-053-L59/38
100121283	6	59	50	Y1	M7x0,75	Steel	100-053-L59/52
100121376	6	59	38	Y	M7x0,75	Stainless	100-053-L59/38
100121377	6	59	50	Y	M7x0,75	Stainless	100-053-L59/50
100121378	6	45,1	20,7	Y	M7x0,75	Stainless	100-053-L45.1/20.7
100121379	6	45,1	32,7	Y	M7x0,75	Stainless	100-053-L45.1/32.7



for cutting ring



plug type connection Lincoln

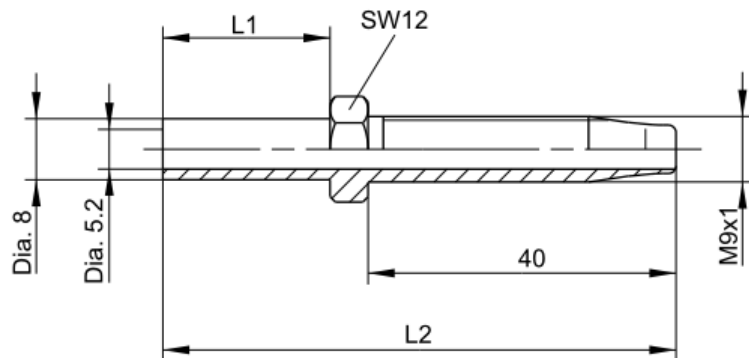


# Lubrication Hose Fittings

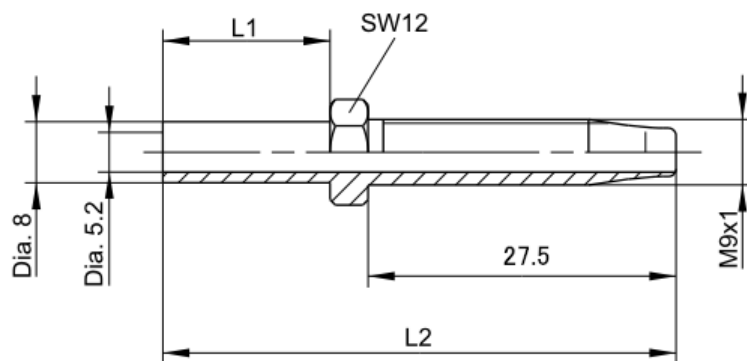
## Thread Ferrule and Insert Hose End

Insert for Ferrule, straight

for Couplings with Cap Screw and Cutting Olive to Mounting a High Pressure Hose Dia. 11.3 x 6.35



Part-No.	L1	L2	Material	Cross Reference
100121301	22	67.3	Steel	100-061L67.3
100121348	22	67.3	Stainless Steel	100-061L67.3SS
100121161	42	87.3	Steel	100-061L87.3



Part-No.	L1	L2	Material	Cross Reference
1001 21401	22	55.5	Steel	100-0611L67.3
1001 21448	22	55.5	Stainless Steel	100-0611L67.3SS
1001 21 461	42	75.5	Steel	100-0611L87.3

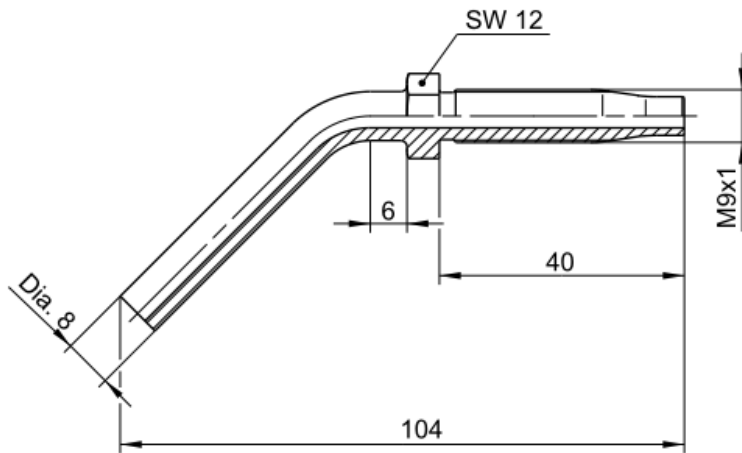


# Lubrication Hose Fittings

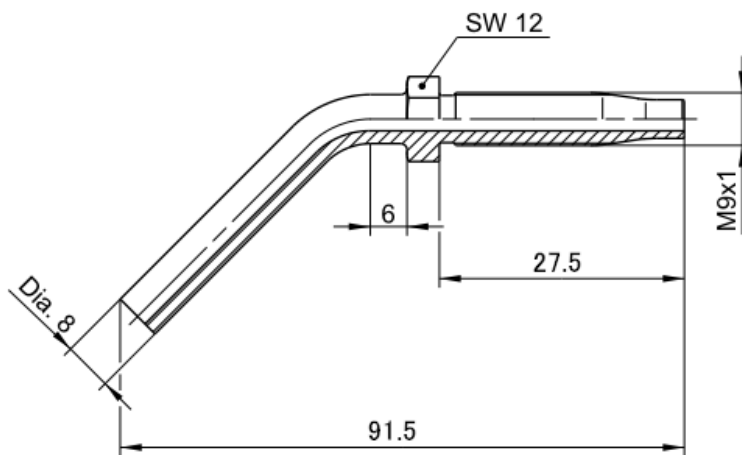
## Thread Ferrule and Insert Hose End

Insert for Ferrule, 45° bent

for Couplings with Cap Screw and Cutting Olive to Mounting a High Pressure Hose Dia. 11.2 x 6.5



Part-No.	Material
100121163	Steel
100121164	Stainless Steel



Part-No.	Material
100121263	Steel
100121264	Stainless Steel

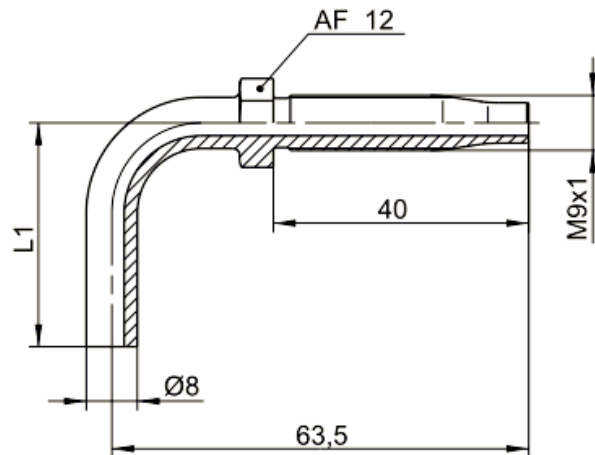


# Lubrication Hose Fittings

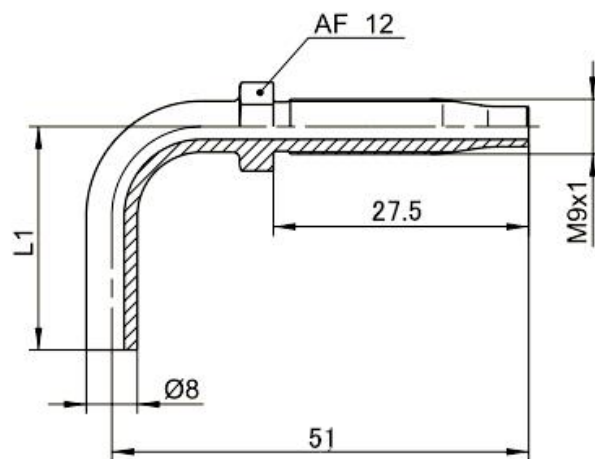
## Thread Ferrule and Insert Hose End

Pipe socket bent by 90°

for fittings with union screws and cutting rings, for the assembly of high pressure hose  $\varnothing 11,2 \times 6,5$



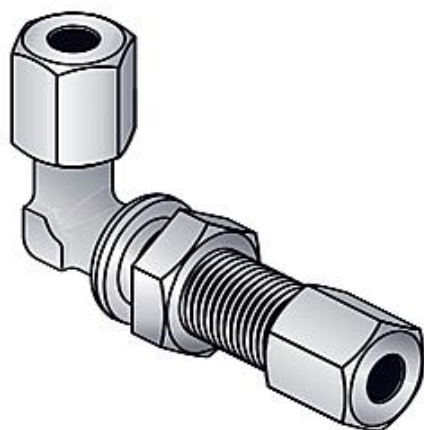
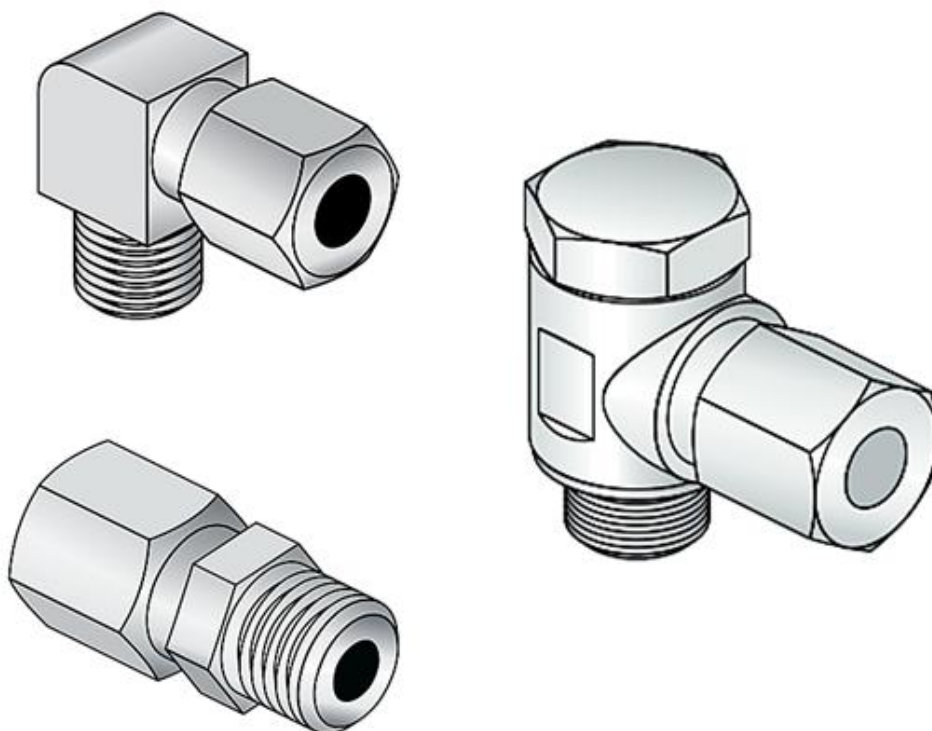
Part No.	L1	Material
100121165	35	steel
100121166	35	Stainless Steel
100121167	55	steel
100121168	55	Stainless Steel
100121169	75	steel
100102170	75	Stainless Steel



Part No.	L1	Material
100121265	35	steel
100121266	35	Stainless Steel
100121267	55	steel
100121268	55	Stainless Steel
100121269	75	steel
100102270	75	Stainless Steel

# Lubrication Tube Fittings DIN 2353/ISO 8434-1 LL/L series

## Lubrication Tube Fitting/Cutting Ring Fittings



### Lubrication Tube Fittings Types:

DIN 2353 L LL S series ISO 8434-1 L series

Taper Thread of Metric and BSP

### Shapes of Lubrication Tube Fittings

Straight

Elbow

Tee

Banjo

### Match Port types Standards As Follows:

BSPP Port

Metric Port

Catalog of Lubrication Tube Fittings

Dimensions of Lubrication Tube Fittings

# Lubrication Tube Fittings DIN 2353/ISO 8434-1 LL/L series

---

## Lubrication Tube Fittings Introduction

Lubrication tube fittings is from DIN 24 degree cone tube ends or to taper thread stud ends, such as Metric taper and BSP taper thread,, it will be matched with port tapping parallel thread stands of BSPP Port and Metric Port, grease line compression fittings connect to tubes, tubing system, plastic tubes and hose lines, sealing by 24 degree cone end with DIN 3870 coupling nut and DIN 3861 cutting ring assembly.

Central lubrication system fittings are designed for high- pressure oil, fluid grease and grease lubrication systems with pressure up to 400 bar and more with an operating temperature range from -25 to 80° C. Depending on the operating pressure, the fittings are available in pressure series: LL (very light), L (light) and S (heavy). The pipe connections, threads and pressure series are defined in DIN EN ISO 8434-1 (formerly DIN2353).

Central lubrication tube fittings are used in applications such as :Automobile Agricultural, Marine, Truck, Construction Equipment, Machine Manufacturing Industries etc.

Types of lubrication tube fittings as follows:

Compression Nuts

Compression Sleeves

Male Stud Straight Connector

Male Union Straight Connector

Male Stud Elbow Connector

Male Union Elbow Connector

Male Union Tee Connector

Male Bulkhead Straight Connector

Male Bulkhead Elbow Connector

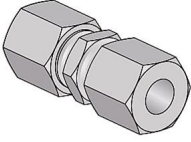
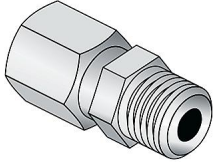
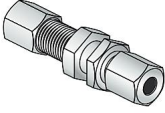
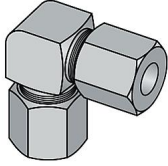
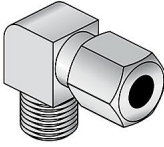
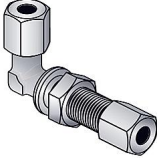
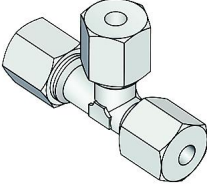
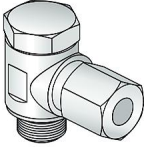
Male Banjo Elbow Swivel Connector

Female Banjo Elbow Swivel Connector

# Lubrication Tube Fittings DIN 2353/ISO 8434-1 LL/L series

## Overview catalogue Of Lubrication Tube Fittings Connectors

Central lubrication tube fitting is made of these shapes, from forging/shape material as follows:

<p style="text-align: center;"><b>G 1C 1D</b></p> 	<p style="text-align: center;"><b>GE-M-K/GE-R-K</b></p> 	<p style="text-align: center;"><b>SV 6C 6D</b></p> 
<p style="text-align: center;"><b>W 1C9 1D9</b></p> 	<p style="text-align: center;"><b>WE-M-K/WE-R-K</b></p> 	<p style="text-align: center;"><b>WSV 6C9 6D9</b></p> 
<p style="text-align: center;"><b>TAC</b></p> 	<p style="text-align: center;"><b>1CI-M/1CI-B</b></p> 	

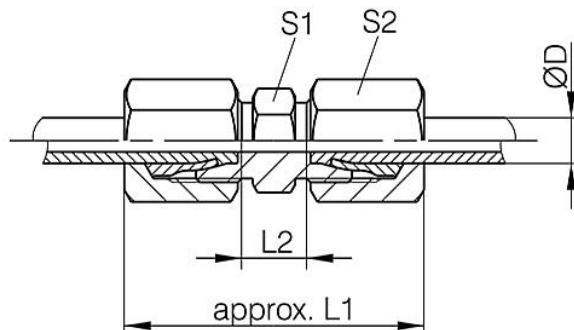
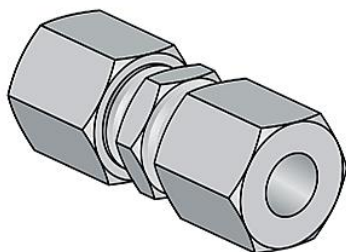


# Lubrication Tube Fittings

DIN 2353/ISO 8434-1 LL/L series

## G Male Straight Union Lubrication Fittings

DIN 24° cone end, ISO 8434-1/DIN 2353 straight union connector

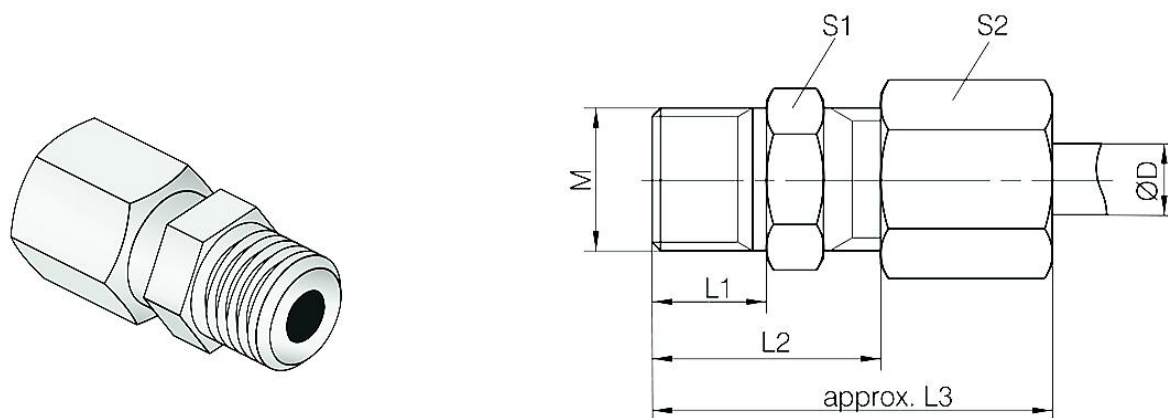


Part No.	ØD	Series*	L1	L2	S1	S2	Cross reference	Bag
G4LL	4	LL	31	12	9	10	104-000	50
G6LL	6	LL	32	9	11	12	106-000	50
G6L	6	L	39	10	12	14	106L-000	50
G6S	6	S	45	16	14	17	106S-000	50
G8LL	8	LL	35	12	12	14	108-000	50
G8L	8	L	40	11	14	17	108L-000	50
G8S	8	S	47	18	17	19	108S-000	50
G10L	10	LL	42	10	17	19	110-000	50

# Lubrication Tube Fittings DIN 2353/ISO 8434-1 LL/L series

## GE-M-K GE-R-K Male Stud Straight Lubrication Fittings

DIN 24° cone end, ISO 8434-1/DIN 2353 to Metric Keg taper and BSP taper thread



Part No.	ØD	Series	M	L1	L2	L3	S1	S2	Cross Reference	Bag
GE4M6.1KLL	4	LL	M6x1k	8	16	26	10	10	104-001	50
GE4M8.1KLL	4	LL	M8x1k	8	16	26	10	10	104-002	50
GE4M10.1KLL	4	LL	M10x1k	9	14,5	26	11	12	104-003	50
GE6M6.1KLL	6	LL	M6x1k	8	14,5	26	11	12	106-001	100
GE6M8.1KLL	6	LL	M8x1k	8	14,5	26	11	12	106-002	100
GE6M10.1KLL	6	LL	M10x1k	9	14,5	26	11	12	106-003	100
GE6R1/8KLL	6	LL	R1/8"k	9	14,5	26	11	12	106-004	100
GE6R1/4KS	6	S	R1/4"k	12	23,5	40	17	17	106S-005	50
GE8M10.1KLL	8	LL	M10x1k	9	16,5	28	12	14	108-003	50
GE8R1/4KL	8	L	R1/4"k	12	20	35	17	17	108L-004	50

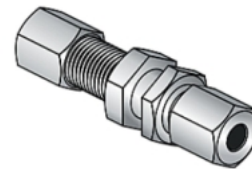
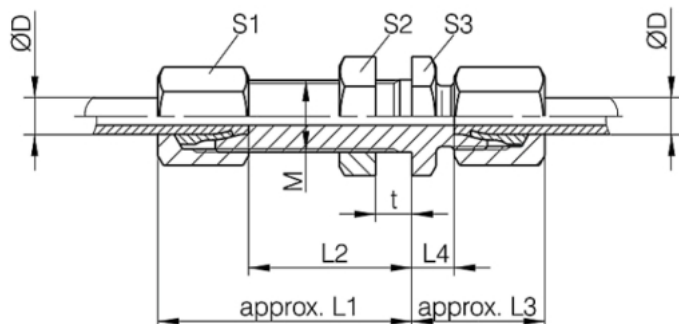


# Lubrication Tube Fittings

DIN 2353/ISO 8434-1 LL/L series

## SV Male Straight Bulkhead Lubrication Fittings

DIN 24° cone end, ISO 8434-1/DIN 2353 to bulkhead straight connector

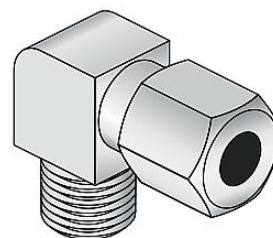
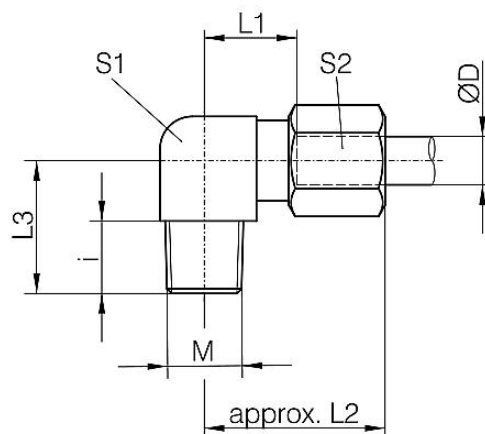


Part No.	ØD	Series	M	L1	L2	L3	L4	S1	S2	S3	tmax	Cross reference	Bag
SV06L	6	L	M12x1,5	42	27	22	7	14	17	17	16	106-221-L	20
SV08L	8	L	M14x1,5	42	27	23	8	17	19	19	16	108-221-L	20

WE-M-K WE-R-K Male Stud Elbow Lubrication Fittings

# Lubrication Tube Fittings DIN 2353/ISO 8434-1 LL/L series

DIN 24° cone end, ISO 8434-1/DIN 2353 to Metric Keg taper and BSP taper thread elbow connector



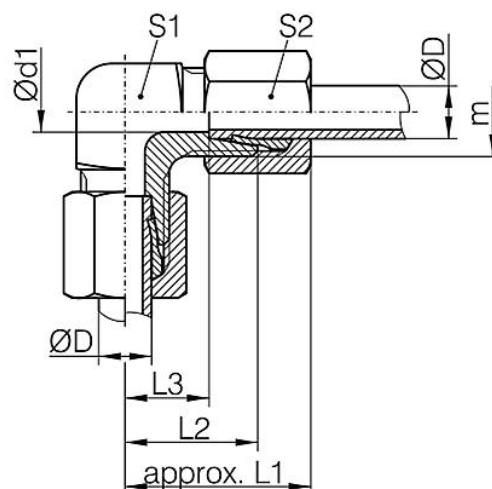
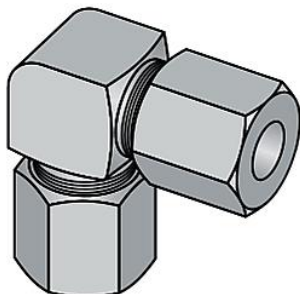
Designation	ØD	Series	M	i	L1	L2	L3	S1	S2	Cross reference	bag
WE4M6.1KLL	4	LL	M6x1k	8	11	21	15	9	10	104-101	50
WE4M8.1KLL	4	LL	M8x1k	8	11	21	17	9	10	104-102	50
WE4M10.1KLL	4	LL	M10x1k	9	11	21	17	11	10	104-103	50
WE4R1/8KLL	4	LL	R1/8"k	9	11	21	18	11	10	104-104	50
WE6M6.1KLL	6	LL	M6x1k	8	9,5	21	15	11	12	106-101	100
WE6M8.1KLL	6	LL	M8x1k	8	9,5	21	17	11	12	106-102	100
WE6M10.1KLL	6	LL	M10x1k	9	9,5	21	17	11	12	106-103	100
WE6M10.1KL	6	L	M10x1k	9	12	27	20	12	14	106L-103	50
WE6R1/8KLL	6	LL	R1/8"k	9	10	22	17	11	12	106-104	100
WE6R1/4KS	6	S	R1/4"k	12	16	31	27	14	17	106S-105	50
WE8M10.1KLL	8	LL	M10x1k	9	11,5	23	20	12	14	108-103	50
WE8R1/8KLL	8	LL	R1/8"k	9	11,5	23	20	12	14	108-104	50
WE8R1/4KL	8	L	R1/4"k	12	14	29	27	14	17	108L-105	50
WE10R1/4KL	10	L	R1/4"k	12	15	30	27	17	19	110L-105	50
WE12R3/8KL	12	L	R3/8"k	12	17	32	28	19	22	112L-106	50

# Lubrication Tube Fittings

DIN 2353/ISO 8434-1 LL/L series

## W Male Elbow Union Lubrication Fittings

DIN 24° cone end, ISO 8434-1/DIN 2353 elbow union connector



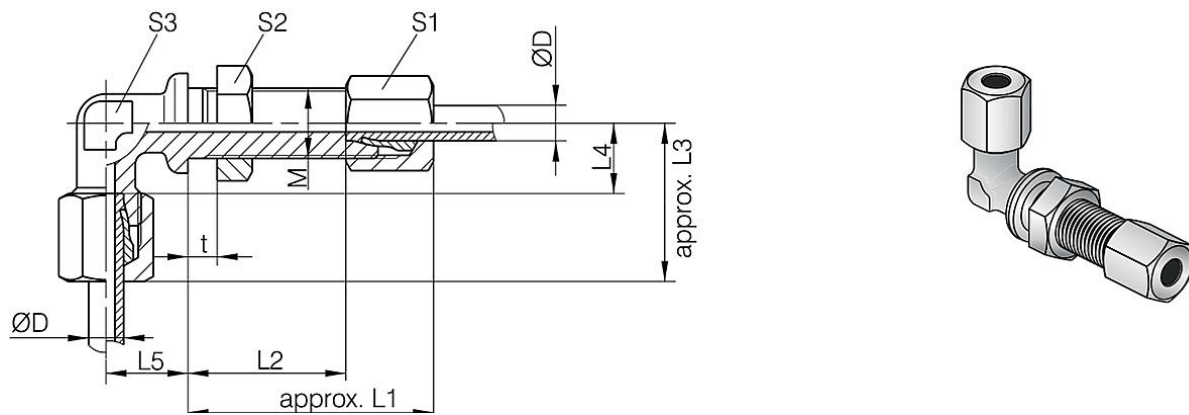
Designation	ØD	Series	m	L1	L2	L3	Ød1	S1	S2	Cross Reference	Bag
W4LL	4	LL	M8x1	21	15	11	3	9	10	104-100	50
W6LL	6	LL	M10x1	21	15	9,5	4,5	9	12	106-100	50
W8LL	8	LL	M12x1	23	17	11,5	6	12	14	108-100	50
W10L	10	L	M16x1,5	30	22	15	8	14	19	110L-100	50

# Lubrication Tube Fittings

DIN 2353/ISO 8434-1 LL/L series

## WSV Male Elbow Bulkhead Lubrication Fittings

DIN 24° cone end, ISO 8434-1/DIN 2353 elbow bulkhead connector



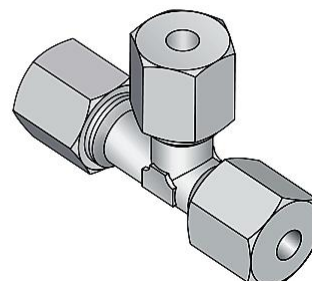
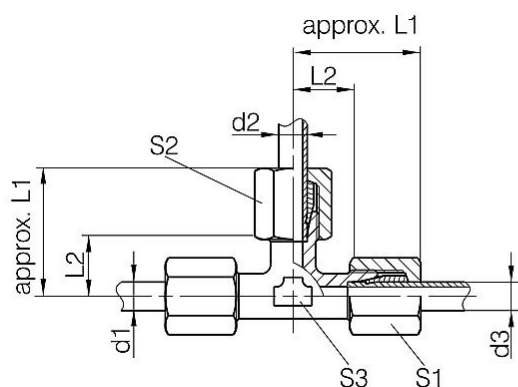
Part No.	ØD	Series	M	L1	L2	L3max	L4	L5	S1	S2	S3	tmax	Cross	Bag
WSV06L	6	L	M12x1,5	42	27	27	12	14	14	17	12	16	106-231L	50
WSV06S	6	S	M14x1,5	44	29	31	16	17	17	19	12	16	106-231S	50
WSV08L	8	L	M14x1,5	42	27	29	14	17	17	19	12	16	108-231L	50

# Lubrication Tube Fittings

DIN 2353/ISO 8434-1 LL/L series

## T Male Tee Union Lubrication Fittings

DIN 24° cone end, ISO 8434-1/DIN 2353 tee union connector



Part No.	d1	d2	d3	Series	L1	L2	S1	S2	S3	Cross	Bag
T4LL	4	4	4	LL	21	11	10	10	9	104-300	50
T6L	6	6	6	L	27	12	12	12	14	104L-300	50
T6LL	6	6	6	LL	21	9,5	12	12	11	106-300	50
T6S	6	6	6	S	31	16	14	14	17	106S-300	50
T8L	8	8	8	L	29	14	14	14	17	108L-300	50
T8LL	8	8	8	LL	23	11,5	14	14	12	108-300	50

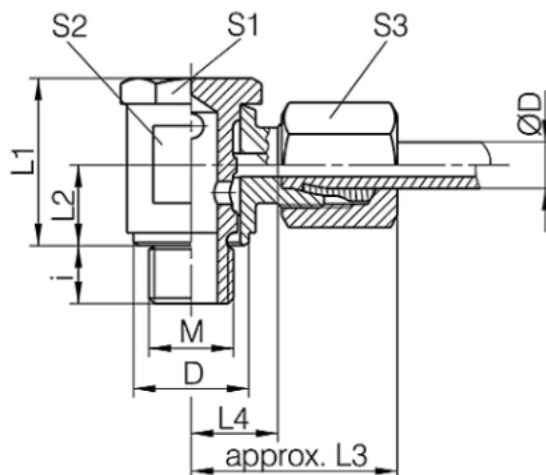
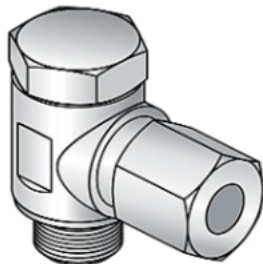
# Lubrication Tube Fittings

DIN 2353/ISO 8434-1 LL/L series

## 1FMI/1FGI Female Banjo Lubrication Fittings

## 1CI-M/1CI-B Male Banjo Lubrication Fittings

DIN 2353 24° cone end, ISO 8434-1 male swivel banjo connector



Part No.	Series	ØD	M	i	D	L1	L2	L3	L4	S1	S2	S3	Cross
1CI-04LL-10	LL	4	M10x1	6	10	20	9,5	22	10	14	14	10	1022-110
1CI-04LL-08	LL	4	M8x1	6	10	18	8	21	11,5	14	14	10	1022-108
1CI-06LL-08	LL	6	M8x1	6	10	20	9,5	22	10	14	14	12	106-122
1CI-06LL-10	LL	6	M10x1	6	10	20	9,5	22	10	14	14	12	106-123
1CI-06-10	L	6	M10x1	6	14,5	22	10	26	11,5	14	17	14	106-123L
1CI-06-B02	L	6	G1/8	6	14,5	22	10	26	11,5	14	17	14	106-124L